

# Technical data sheet



## Product features

### Cooking range electric with 4 solid top plates on open cabinet

<b>Model</b>	<b>SAP Code</b>	00014652
SPL 70/80 E	<b>A group of articles - web</b>	Stoves



- Device type: Electric unit
- Power consumption of the zone 1 [kW]: 4x square hotplates 2.5 kW size 300 x 300 mm
- Power consumption of the zone 2 [kW]: 2,5
- Power consumption of the zone 3 [kW]: 2,5
- Power consumption of the zone 4 [kW]: 2,5
- Protection of controls: IPX4
- Material: AISI 304 top plate, AISI 430 cladding

<b>SAP Code</b>	00014652	<b>Loading</b>	400 V / 3N - 50 Hz
<b>Net Width [mm]</b>	800	<b>Number of zones</b>	4
<b>Net Depth [mm]</b>	700	<b>Power consumption of the zone 1 [kW]</b>	4x square hotplates 2.5 kW size 300 x 300 mm
<b>Net Height [mm]</b>	910	<b>Power consumption of the zone 2 [kW]</b>	2,5
<b>Net Weight [kg]</b>	89.80	<b>Power consumption of the zone 3 [kW]</b>	2,5
<b>Power electric [kW]</b>	10.000	<b>Power consumption of the zone 4 [kW]</b>	2,5

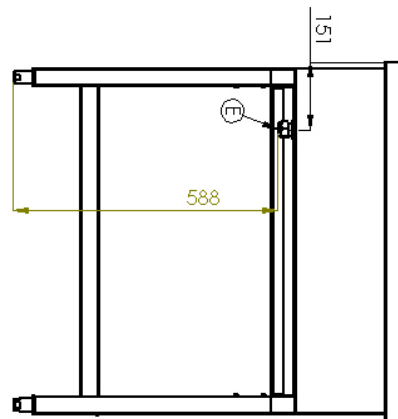
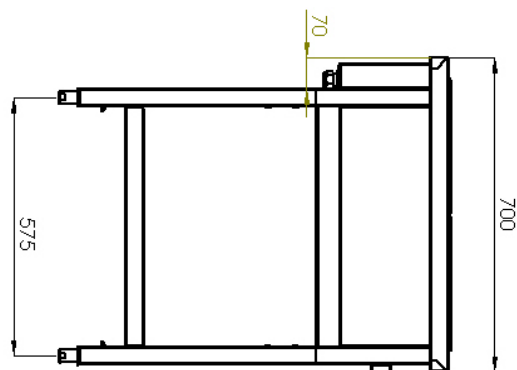
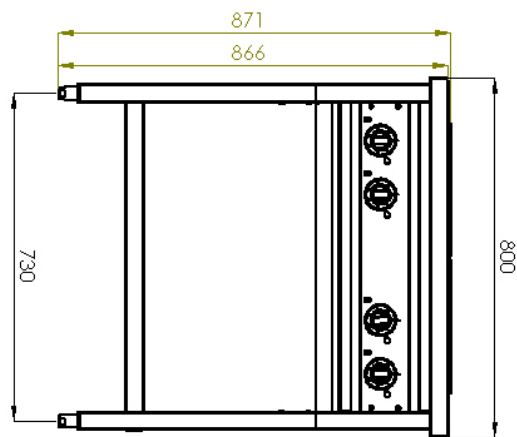
# Technical data sheet



Technical drawing

Cooking range electric with 4 solid top plates on open cabinet

<b>Model</b>	<b>SAP Code</b>	00014652
SPL 70/80 E	<b>A group of articles - web</b>	Stoves



# Technical data sheet



## Technical parameters

### Cooking range electric with 4 solid top plates on open cabinet

<b>Model</b>	<b>SAP Code</b>	00014652
<b>SPL 70/80 E</b>	<b>A group of articles - web</b>	Stoves

**1. SAP Code:**

00014652

**2. Net Width [mm]:**

800

**3. Net Depth [mm]:**

700

**4. Net Height [mm]:**

910

**5. Net Weight [kg]:**

89.80

**6. Gross Width [mm]:**

840

**7. Gross depth [mm]:**

800

**8. Gross Height [mm]:**

975

**9. Gross Weight [kg]:**

105.00

**10. Device type:**

Electric unit

**11. Construction type of device:**

With substructure

**12. Power electric [kW]:**

10.000

**13. Loading:**

400 V / 3N - 50 Hz

**14. Protection of controls:**

IPX4

**15. Material:**

AISI 304 top plate, AISI 430 cladding

**16. Worktop material:**

AISI 304

**17. Worktop Thickness [mm]:**

1.20

**18. Number of zones:**

4

**19. Power consumption of the zone 1 [kW]:**

4x square hotplates 2.5 kW size 300 x 300 mm

**20. Power consumption of the zone 2 [kW]:**

2,5

**21. Power consumption of the zone 3 [kW]:**

2,5

**22. Power consumption of the zone 4 [kW]:**

2,5

**23. Number of power control stages:**

6

**24. Service accessibility:**

Trough the frontal panel

**25. Safety element:**

internal thermostatic protection against overheating

**26. Safety thermostat up to x ° C:**

360

**27. Adjustable feet:**

Yes

**28. Additional information:**

drawer for easy removal of dirt stuck under the plates

# Technical data sheet



Technical parameters

## Cooking range electric with 4 solid top plates on open cabinet

<b>Model</b>	<b>SAP Code</b>	00014652
SPL 70/80 E	<b>A group of articles - web</b>	Stoves

### 29. Number of burners/hot plates:

4

### 31. Cross-section of conductors CU [mm<sup>2</sup>]:

2,5

### 30. Type of electric cooking zones:

Squared